

PRODUCT TECHNICAL SHEET

Collection :	1921	Ref. :	1921.11.04
--------------	------	--------	-------------------

Robinet de service oblique

Dienstkraan, schuin model

Service tap, oblique model

Picture



Product details

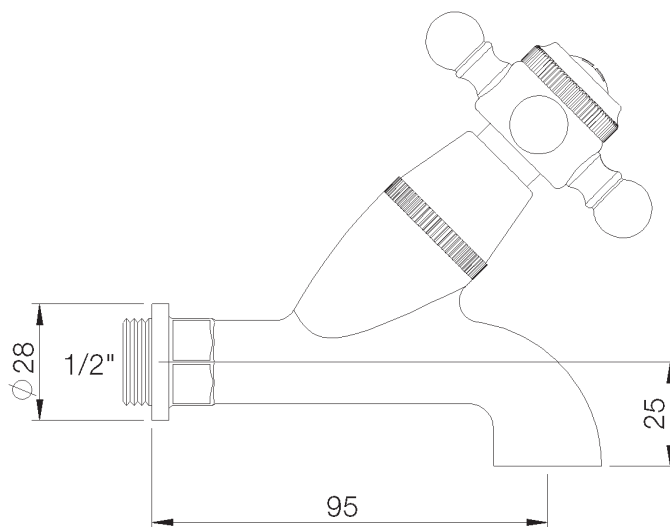
Weight : 0.7 kg

Flow at 3 bar : Restricted 5,6 l/min

Internal mechanism : Ceramic valve 1/4 turn

Note : Delivered with rozet 57mm

Technical drawing



RB0.V01