

PRODUCT TECHNICAL SHEET

Collection : 1935

Ref. : 1937.11.45-XX

Batterie de lavabo 3 trous avec vidage

3-gats wastafelmengkraan met lediging

3-hole washbasin mixer with waste

Picture

Product details

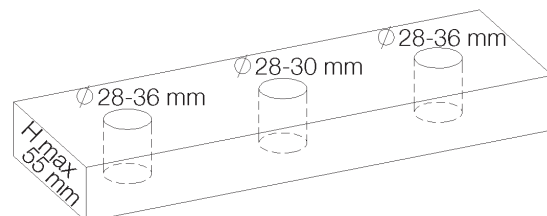
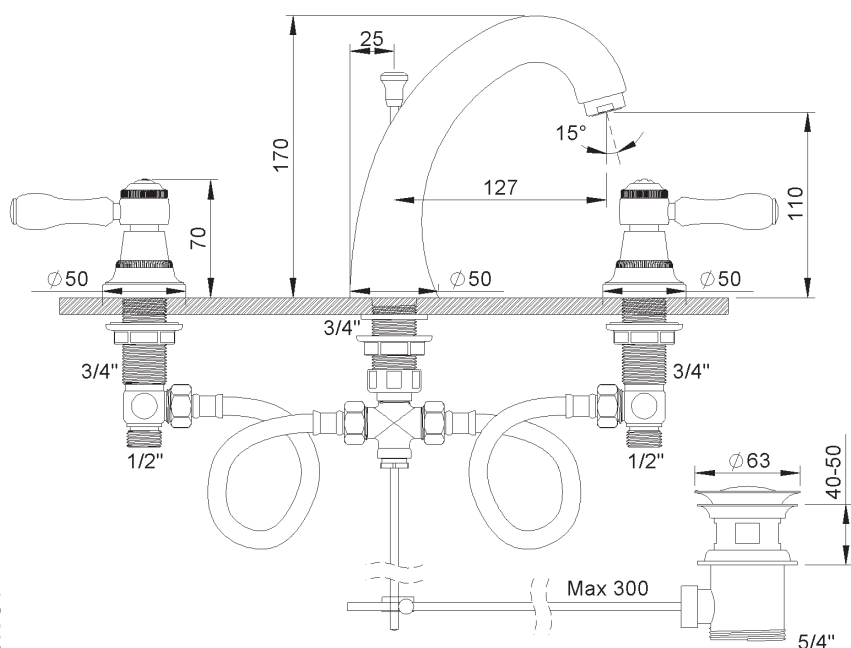
Weight : 3,6 kg

Flow at 3 bar : Restricted 7,5 l/min

Internal mechanism : Ceramic valve 1/4 turn



Technical drawing



RB0.V01