

PRODUCT TECHNICAL SHEET

Collection : **RETRO**

Ref. : **6220.11.13**

Porte-serviette, 1 barre fixe, 600mm

Handdoekdrager, 1 vaste staaf, 600mm

Towel holder, 1 fixed rail, 600mm

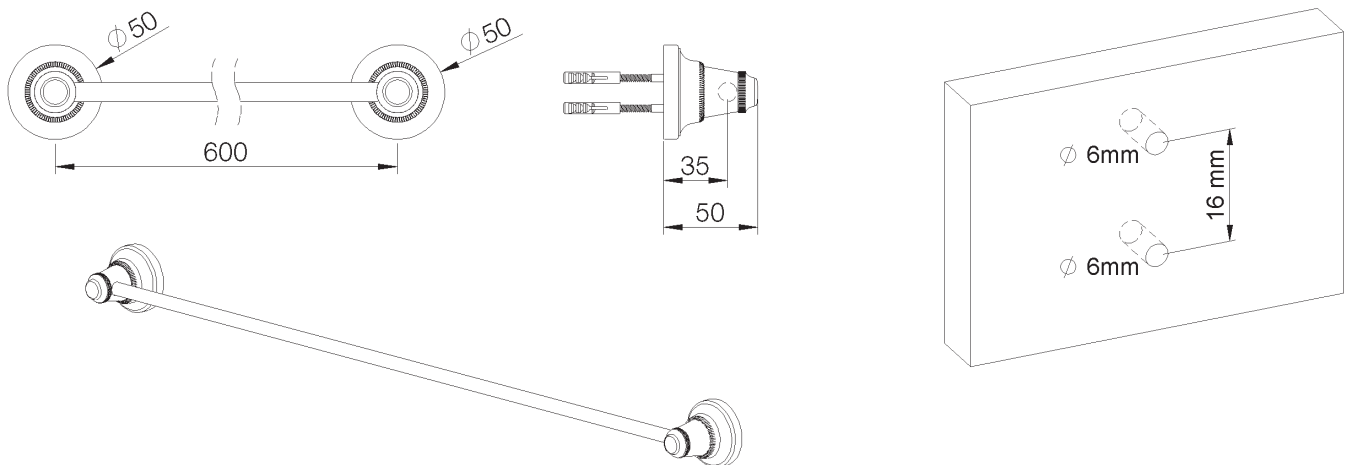
Picture

Product details

Weight : 1,07 kg



Technical drawing



RA0.V01