

PRODUCT TECHNICAL SHEET

Collection : **DEVILLE**

Ref. : **1955.11.30**

Robinet de lave-mains col de cygne

Fonteinkraan, zwanenhals

Washbasin tap, swan neck

Picture



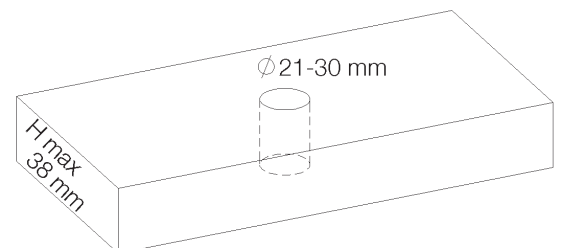
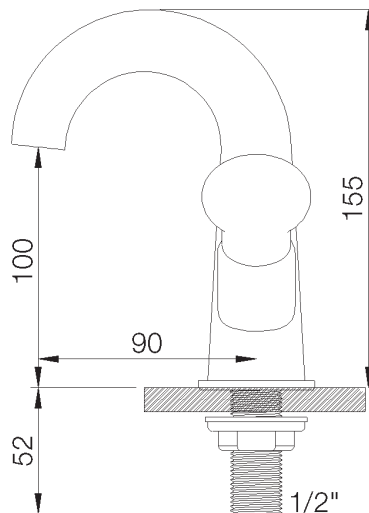
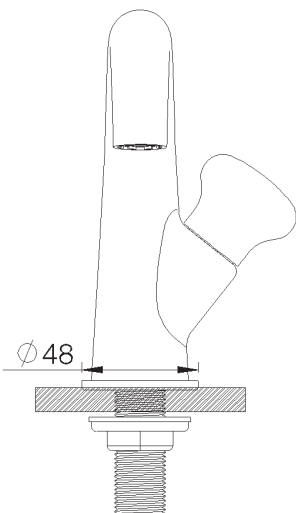
Product details

Weight : 1,6 kg

Flow at 3 bar : 5,6 l/min

Internal mechanism : Ceramic valve 1/4 turn

Technical drawing



RB0.V01