

PRODUCT TECHNICAL SHEET

Collection : **CONTEMPORARY**

Ref. : **8020.11.66**

Bras de douche rond, horizontal
Ronde douchearm, horizontale
Round shower arm, horizontal

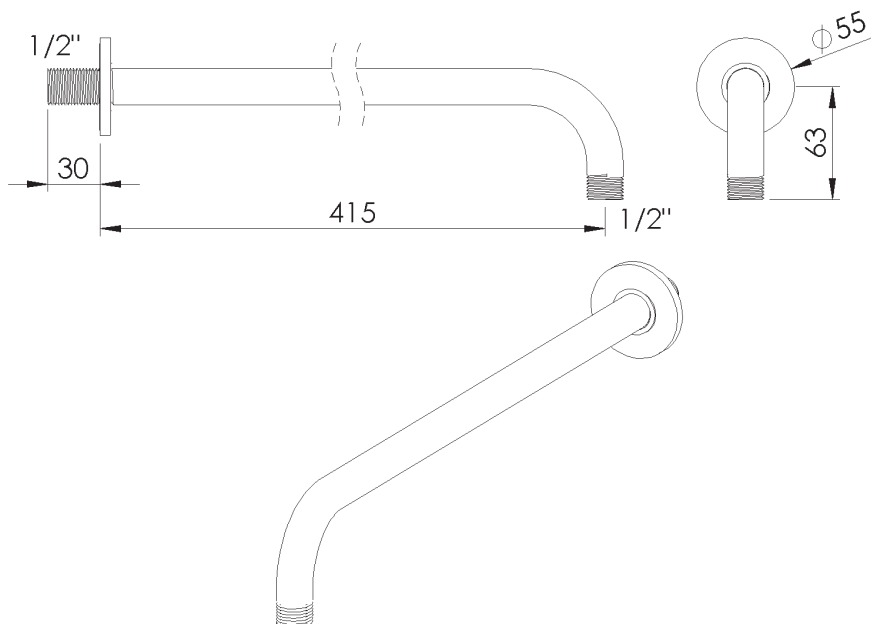
Picture

Product details

Weight : 0,74 kg



Technical drawing



RA0.V01