

PRODUCT TECHNICAL SHEET

Collection :	BUTLER	Ref. :	1950.11.74-XX
--------------	---------------	--------	----------------------

Thermostatique à encastrer
Inbouw thermostaat
Concealed thermostatic

Picture

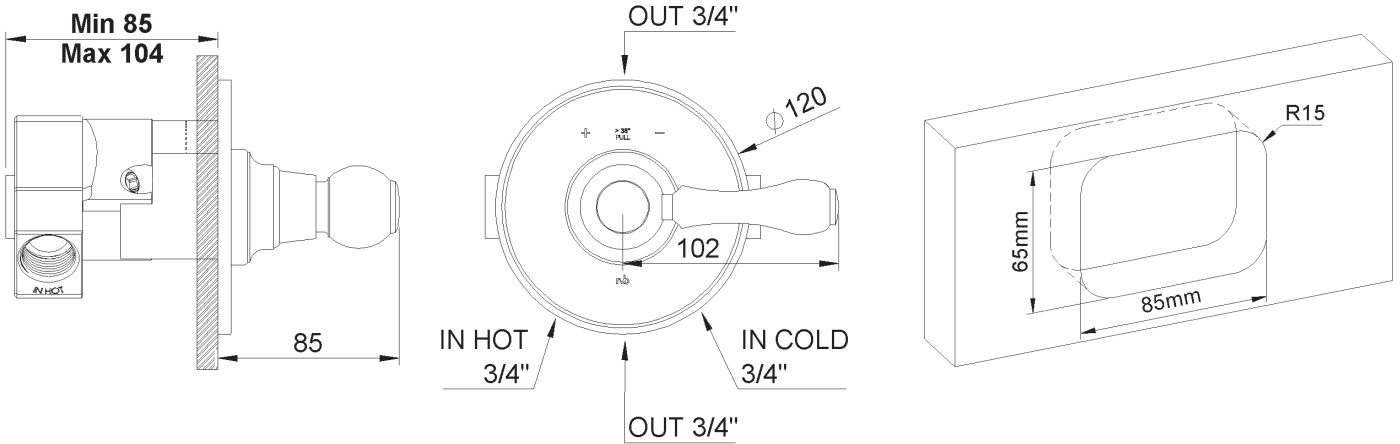
Product details



Flow at 3 bar : 32 l/min

T° mechanism : Thermostatic wax cartridge

Technical drawing



RA1.V01