

**PRODUCT TECHNICAL SHEET**

Collection : **BUTLER**

Ref. : **6250.11.06**

Porte-savon

Zeehouder

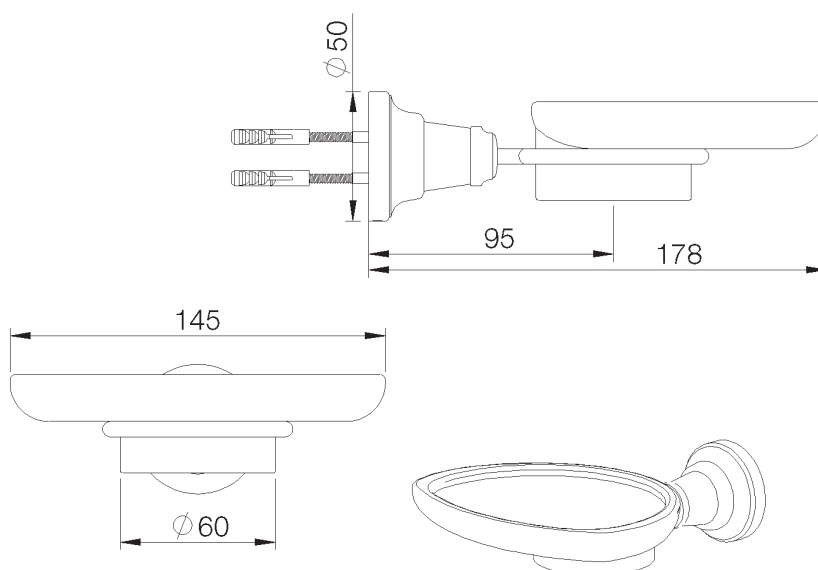
Soap dish

**Picture**

**Product details**



**Technical drawing**



RAO.V01