

**PRODUCT TECHNICAL SHEET**

Collection :

**FUN**

Ref. :

**4031.--.50**

Batterie de lavabo murale 3 trous, à encastrer

Inbouw 3-gats wastafelmengkraan voor wandmontage

Concealed wall-mounted 3-hole washbasin mixer

**Picture**

**Product details**

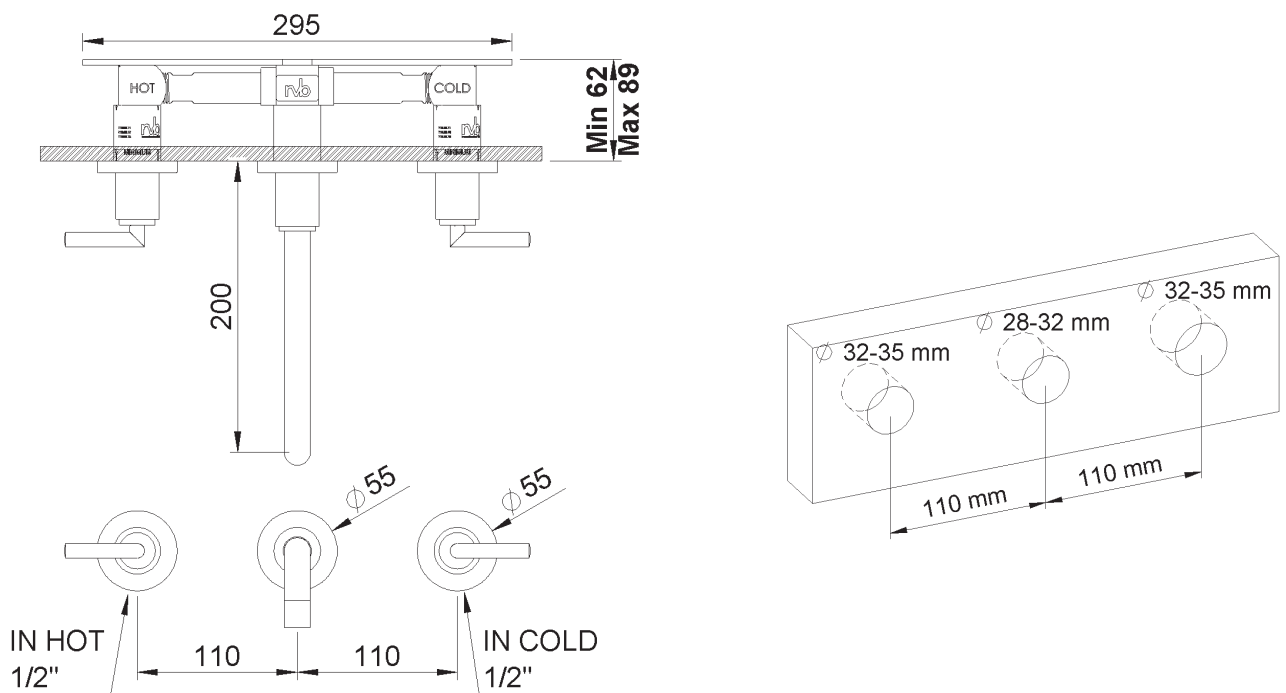
Weight : 2,78 kg

Flow at 3 bar : Restricted 7 l/min

Internal mechanism : Ceramic valve 1/4 turn



**Technical drawing**



RB0.V01