

PRODUCT TECHNICAL SHEET	
Collection :	PLUG
Ref. :	4570.11.46

Mitigeur de lavabo à poser 2 trous, avec vidage
 2-gats ééngreeps wastafelmengkraan, met lediging
 2-hole single-lever washbasin mixer, with push-up waste

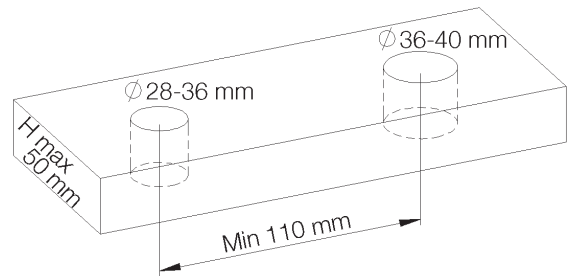
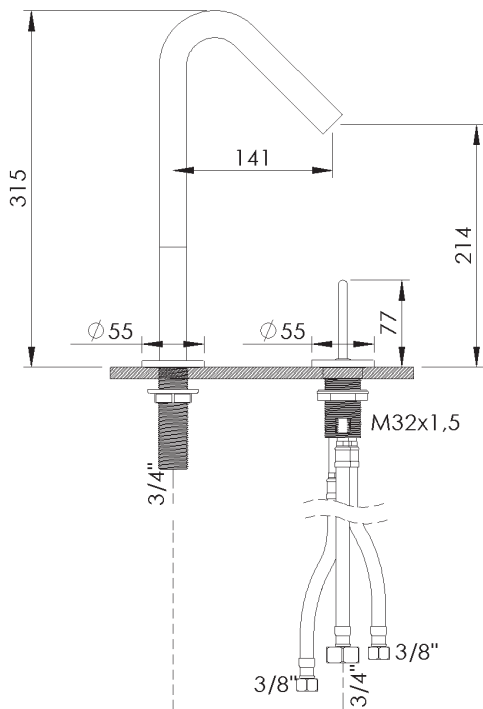
Picture

Product details



Internal mechanism : Joystick ceramic cartridge (90°)

Technical drawing



RA0.v01