

PRODUCT TECHNICAL SHEET

Collection : **1921**

Ref. : **1921.---.22**

Mélangeur cuisine monotrou, bec mobile

E,ngats keukenmengkraan, draaibare uitloop

Single hole kitchen mixer, swing spout

Picture

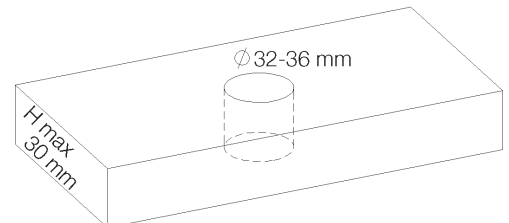
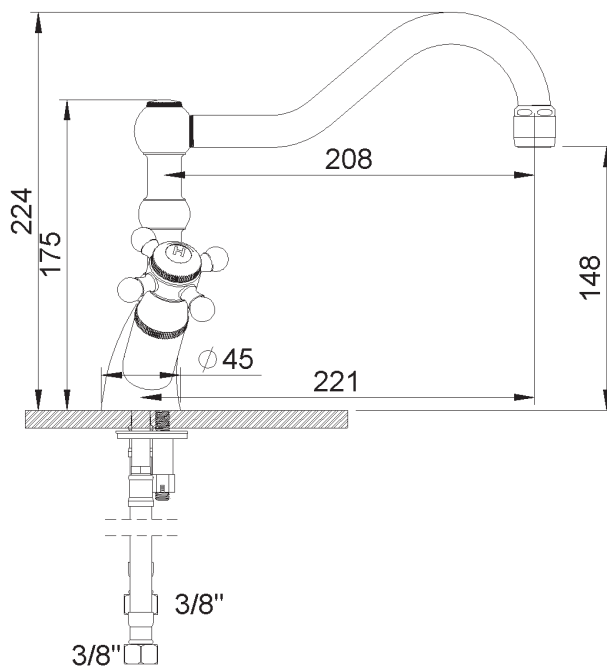
Product details



Weight : 1,9 kg

Internal mechanism : Ceramic valve 1/4 turn

Technical drawing



RB0.V01