

**PRODUCT TECHNICAL SHEET**

Collection :

**PLUG**

Ref. :

**4570.--.12**

Mitigeur de lavabo, avec vidage poussoir, modèle haut

Eéngreeps wastafelmengkraan, met push-up lediging, hoog model

Single-lever washbasin mixer, with push-up waste, high model

**Picture**



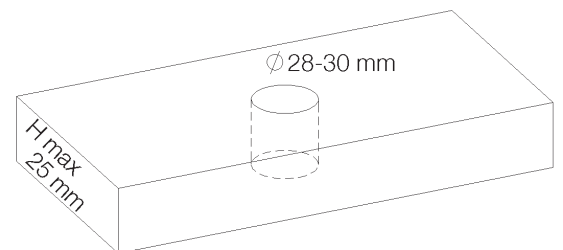
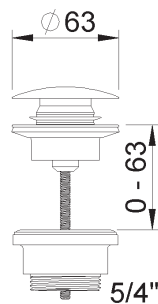
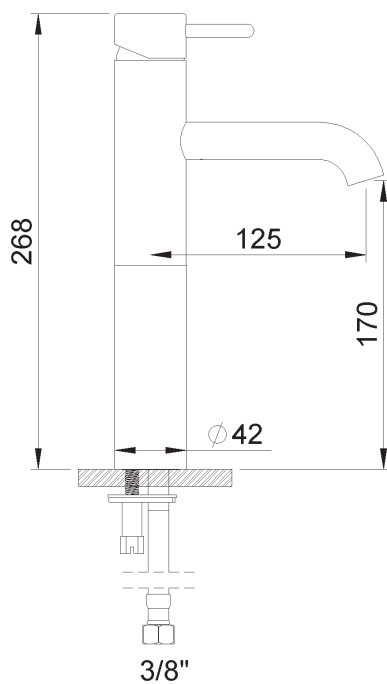
**Product details**

Weight : 2,7 kg

Flow at 3 bar : Restricted 5 l/min

Internal mechanism : Mixer ceramic cartridge (90°)

**Technical drawing**



RAO.V01