

PRODUCT TECHNICAL SHEET

Collection :	PLUG	Ref. :	4570.--.51
--------------	-------------	--------	-------------------

Mitigeur de lavabo mural 2 trous à encastrer
 Inbouw 2-gats ééngreepsmengkraan voor wandmontage
 Concealed wall-mounted 2-hole single-lever sink mixer

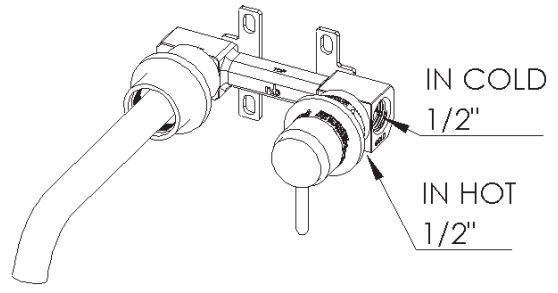
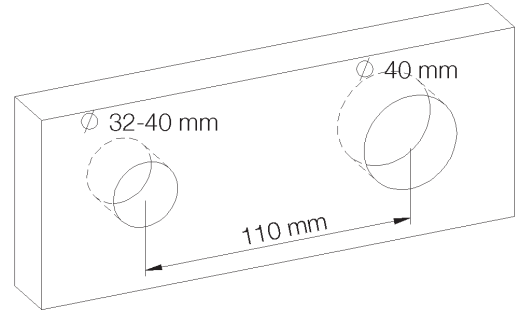
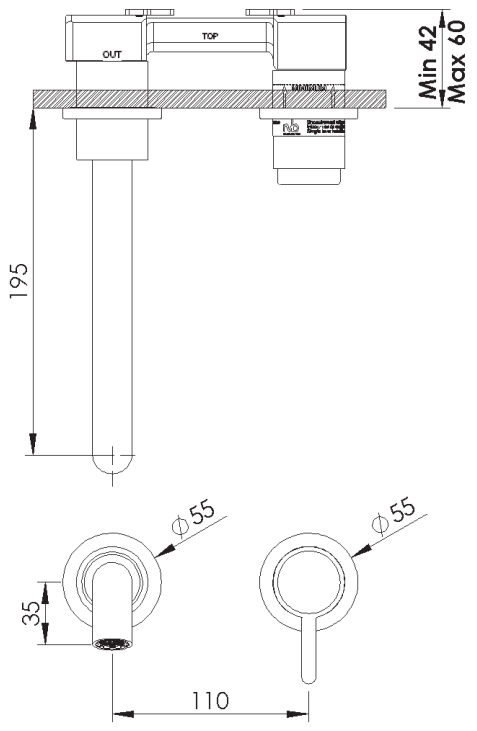
Picture

Product details



Weight :	1,9kg
Flow at 3 bar :	5,0l/min
T° mechanism :	Mixer ceramic cartridge (90°)

Technical drawing



RA.V02